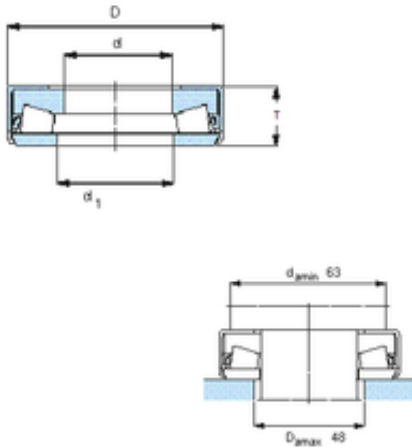




NT1 acordo de cooperação



353118 Bearing 2D drawings and 3D CAD models

SKF 353118 Rolamentos axiais de rolos cilíndricos

Bearing No. 353118

Size	45.1x74x20 mm
Bore Diameter	45,1 mm
Outer Diameter	74 mm
Width	20 mm
d	45,1 mm
d1	45,4 mm
D	74 mm
T	20 mm
Category	Roller Bearings
Inventory	0.0
Manufacturer Name	SKF
Minimum Buy Quantity	N/A
Weight / Kilogram	0.349
EAN	7316571012735
Product Group	B04334